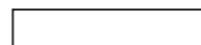
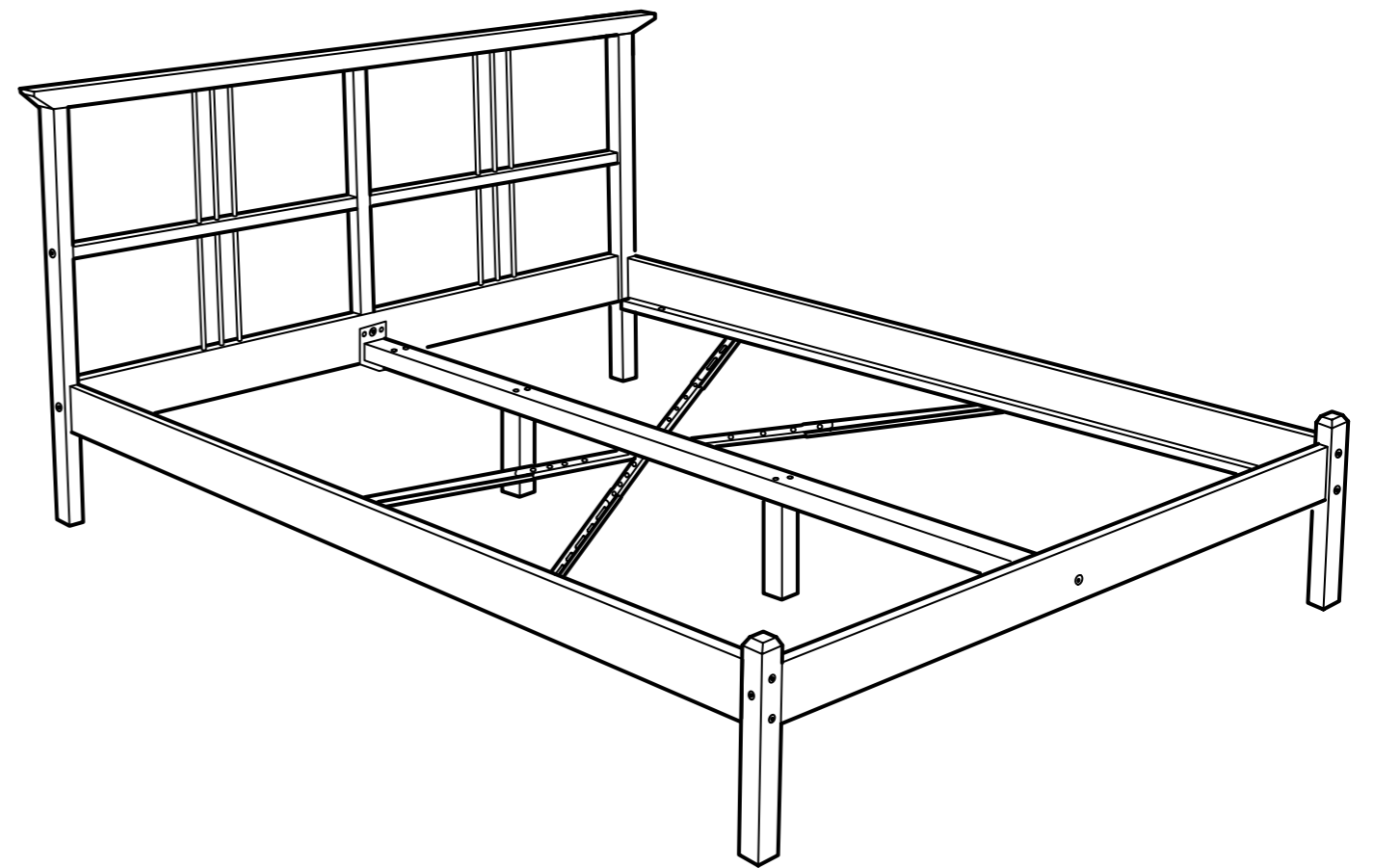
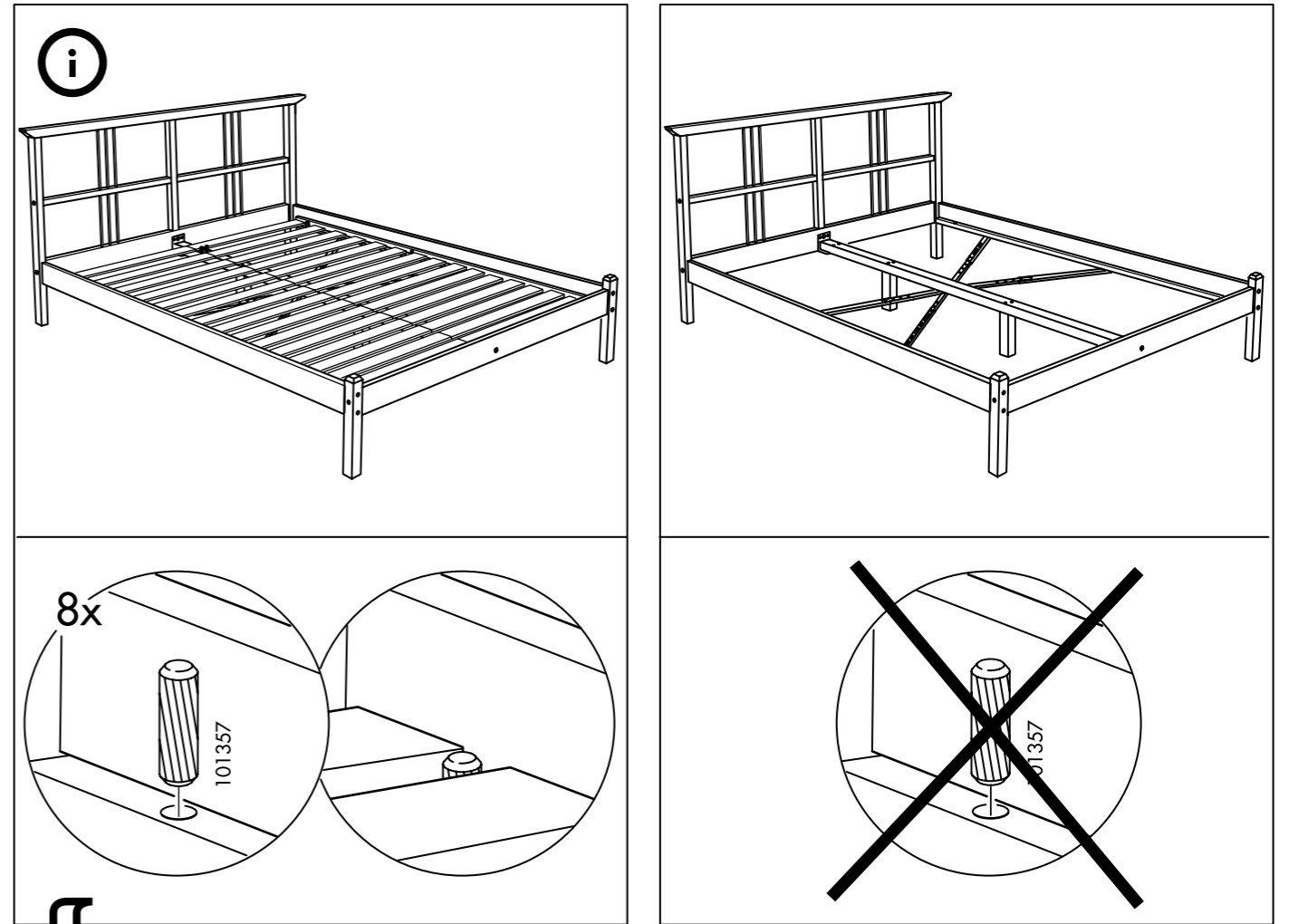
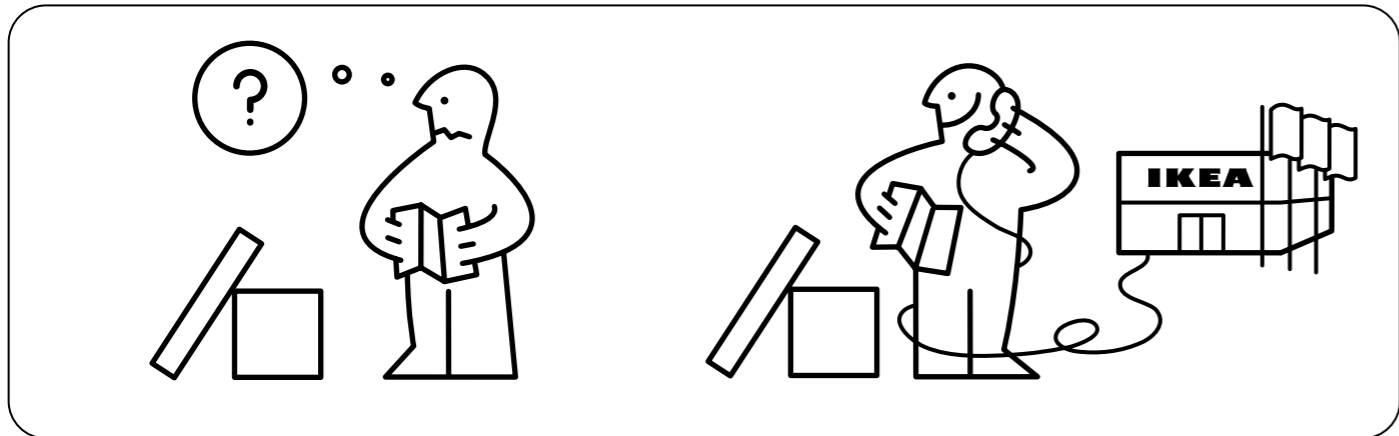
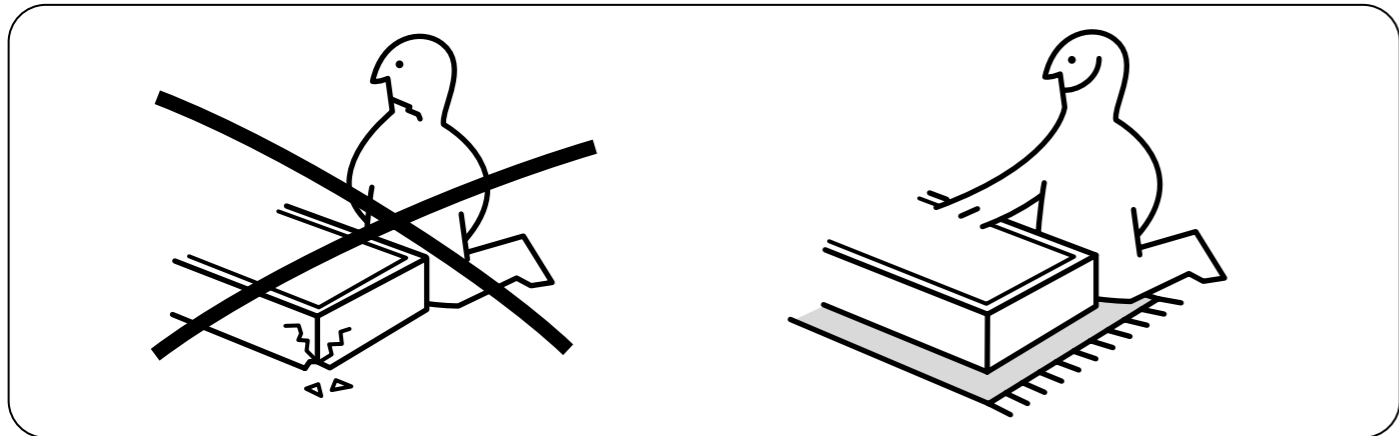
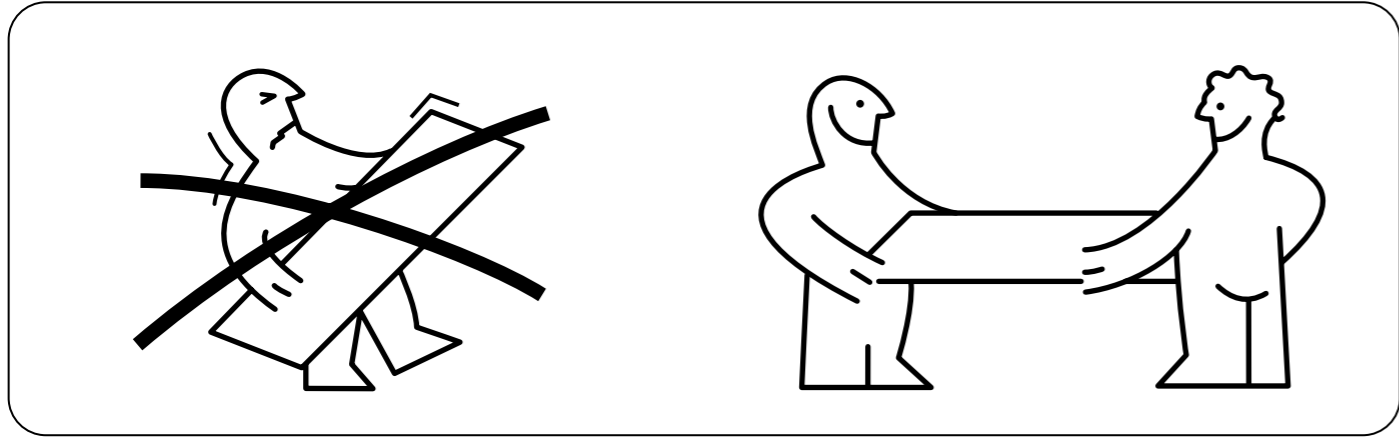
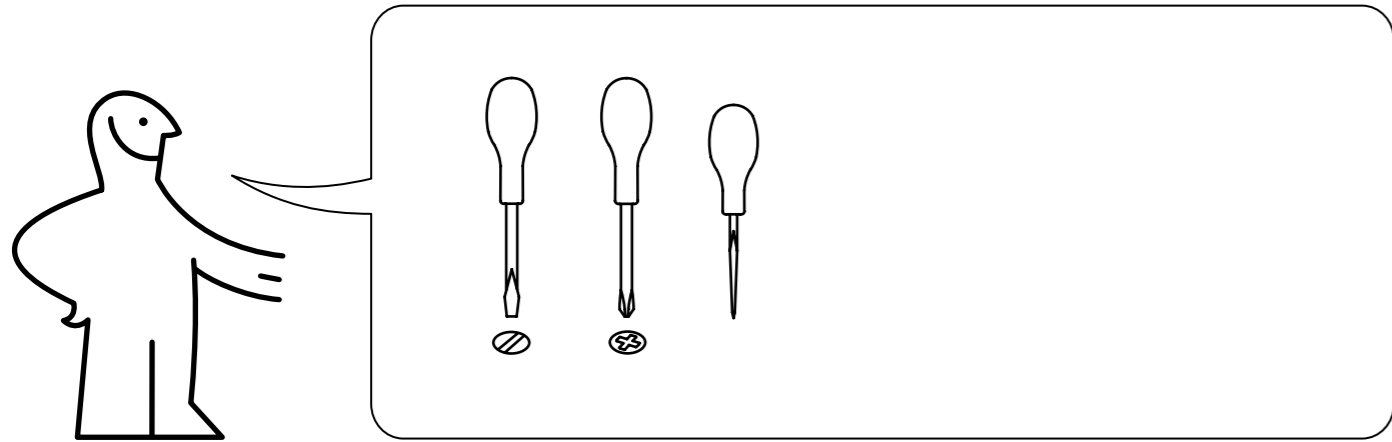
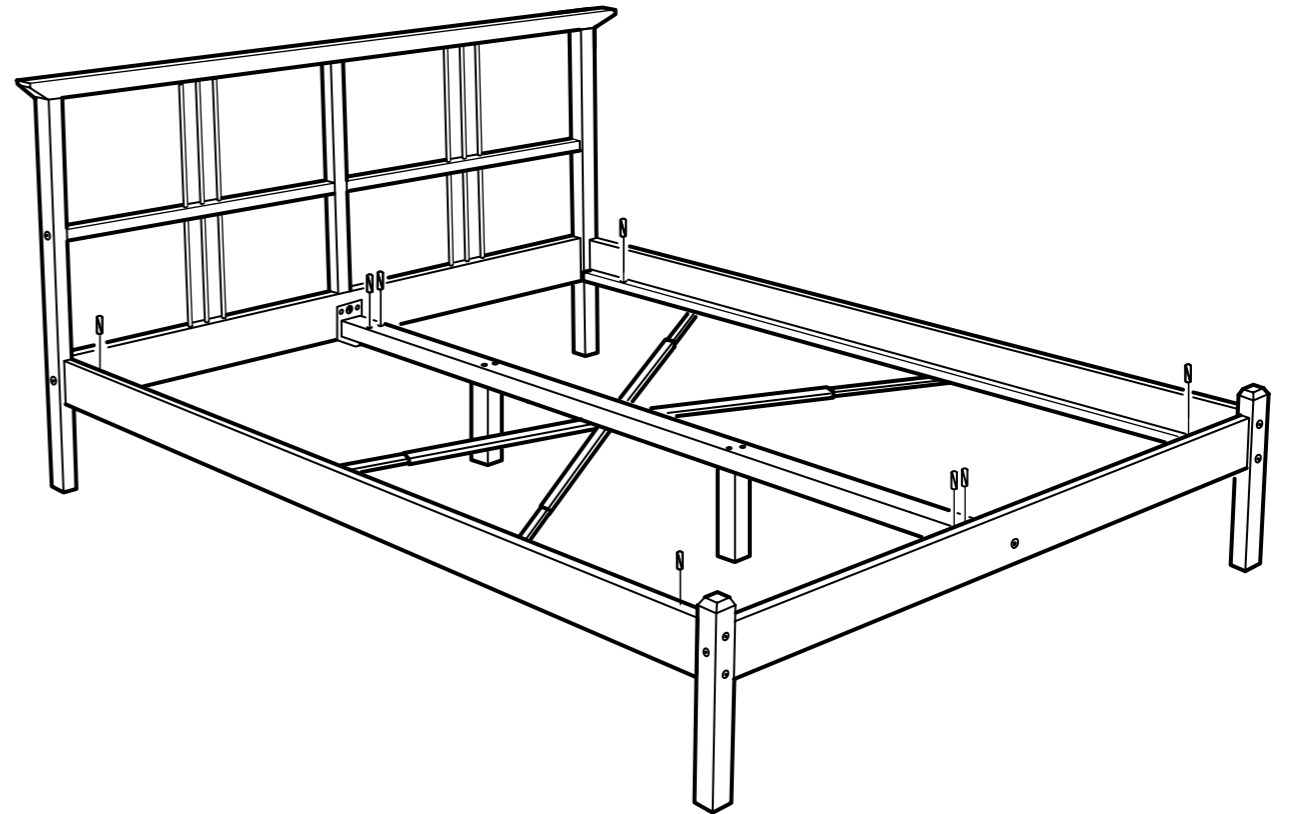


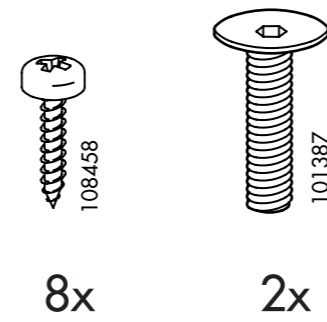
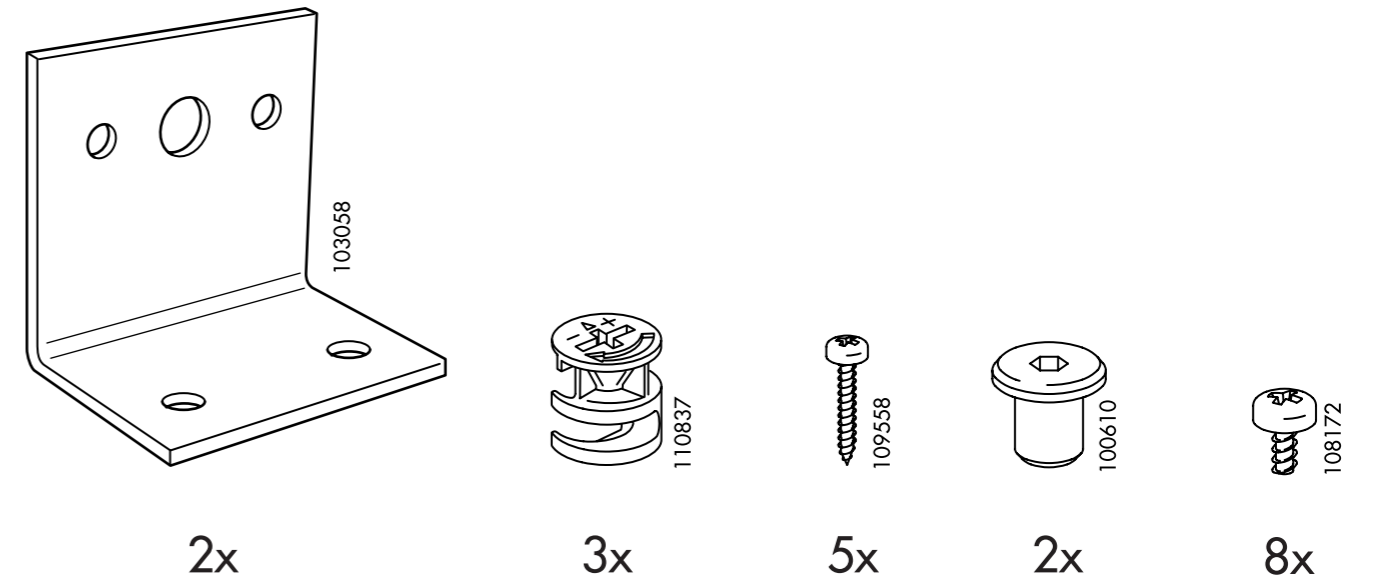
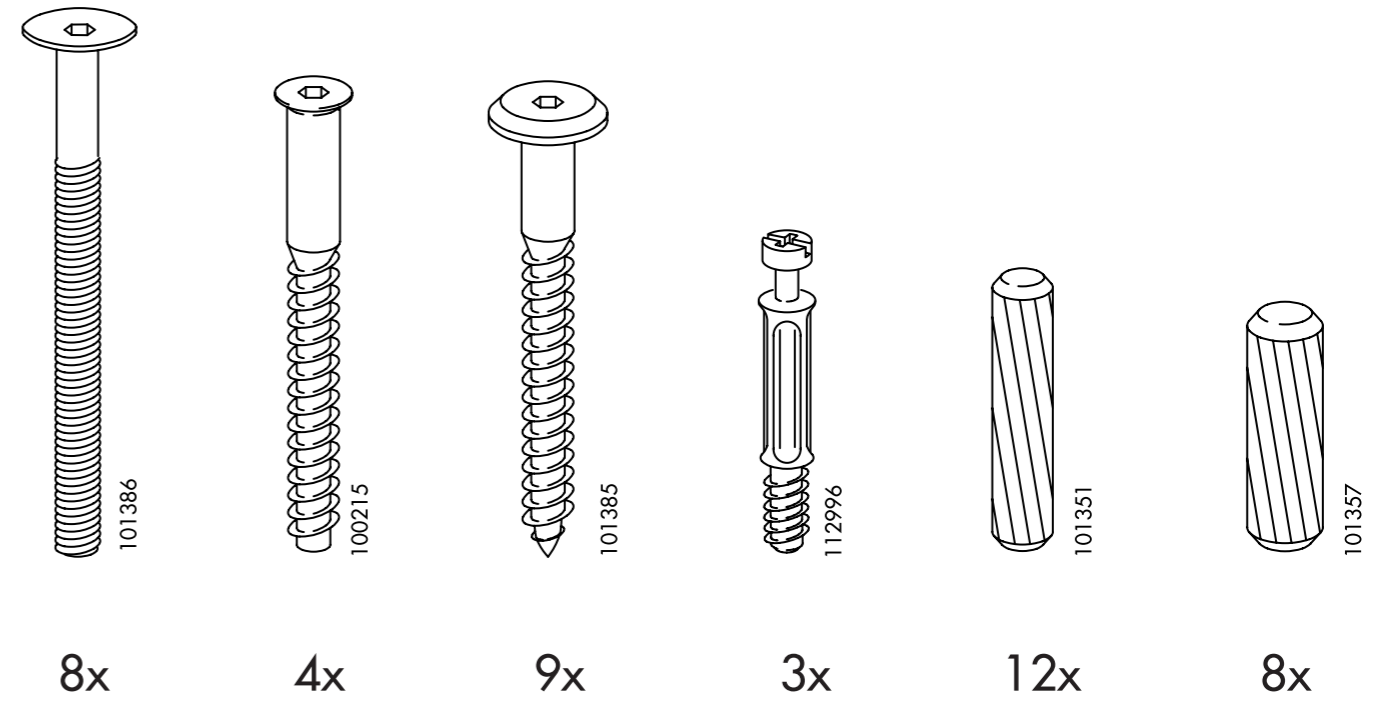
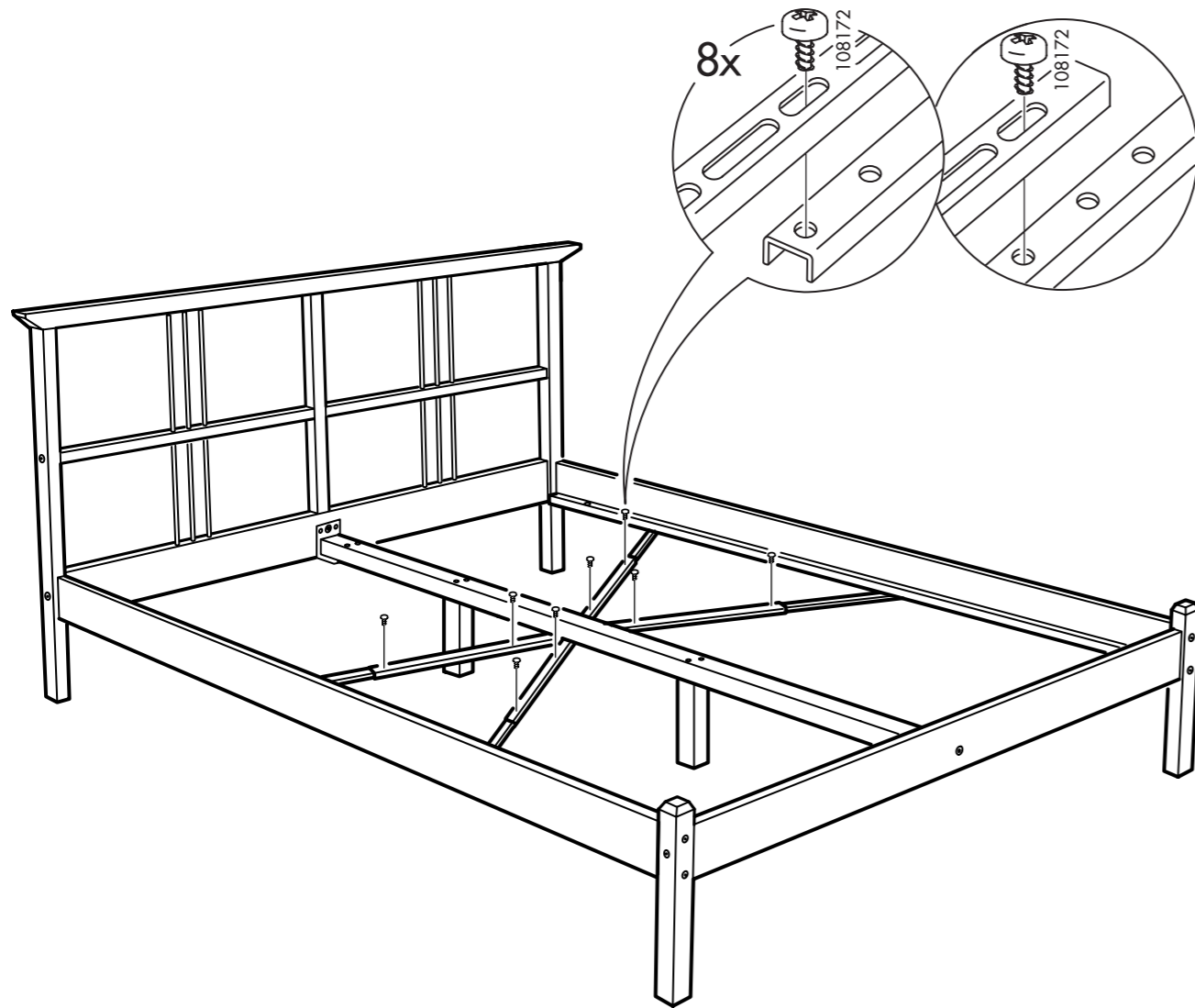
# DALSELV



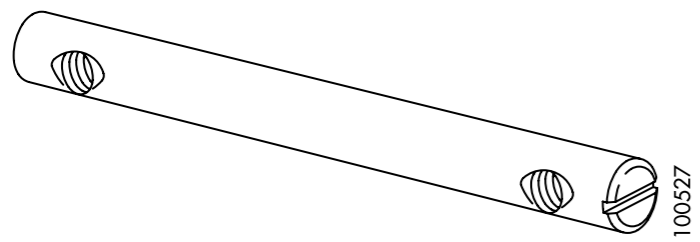


⇕  
**17**

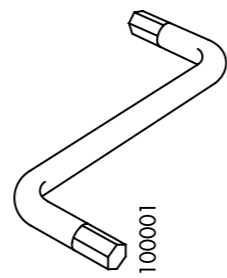




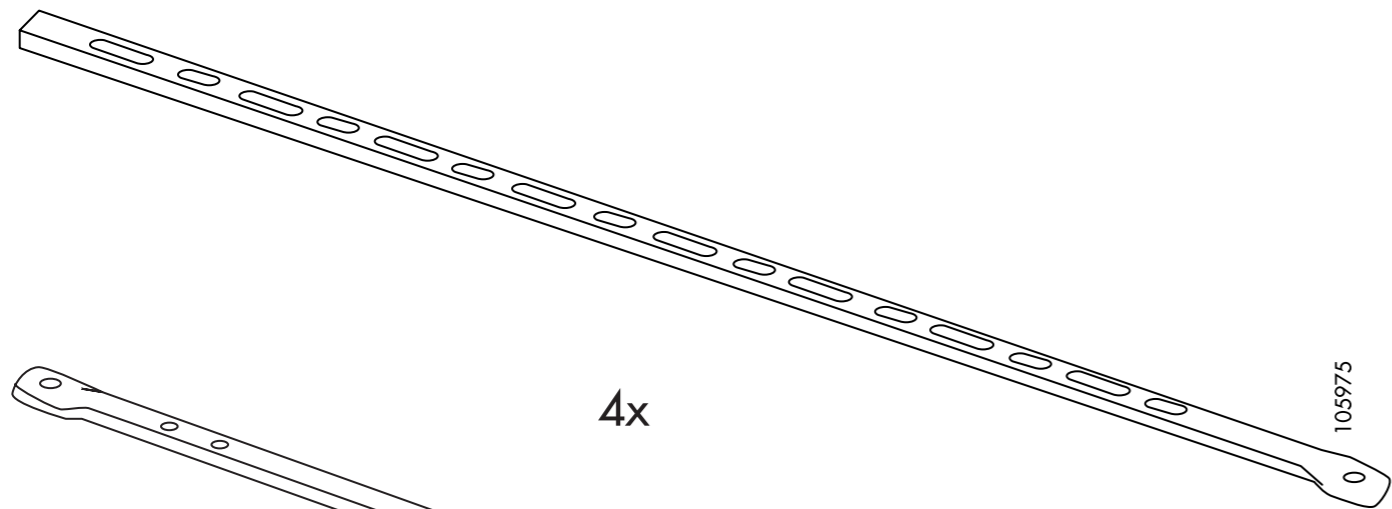
# 15



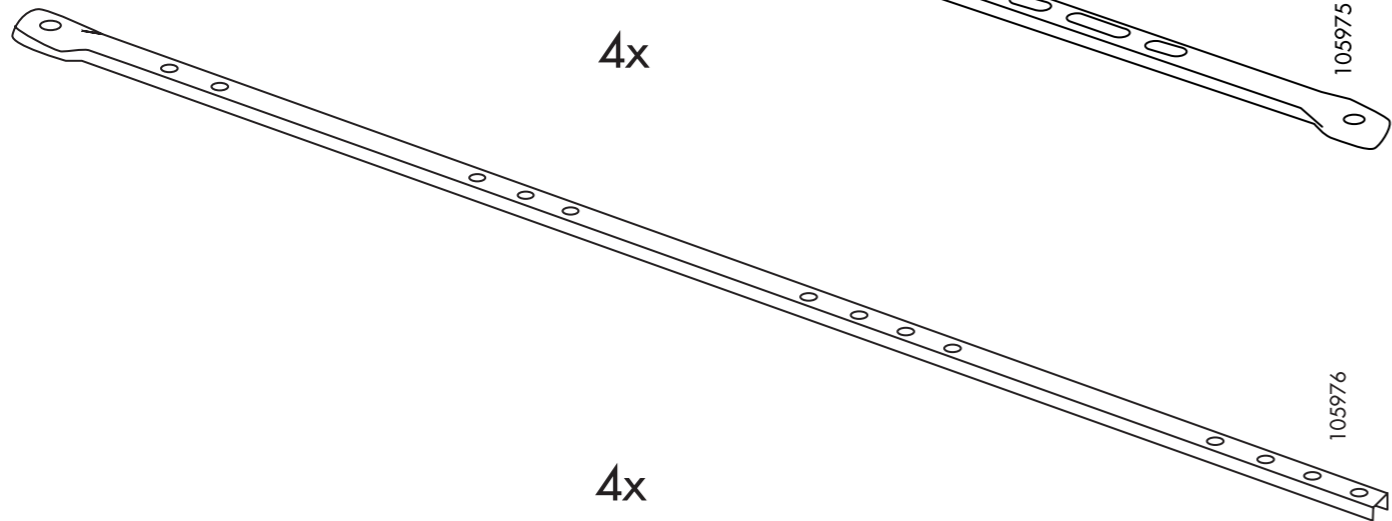
4x



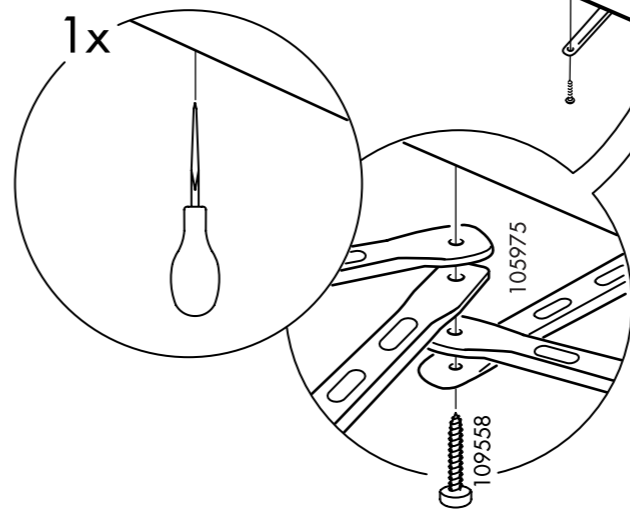
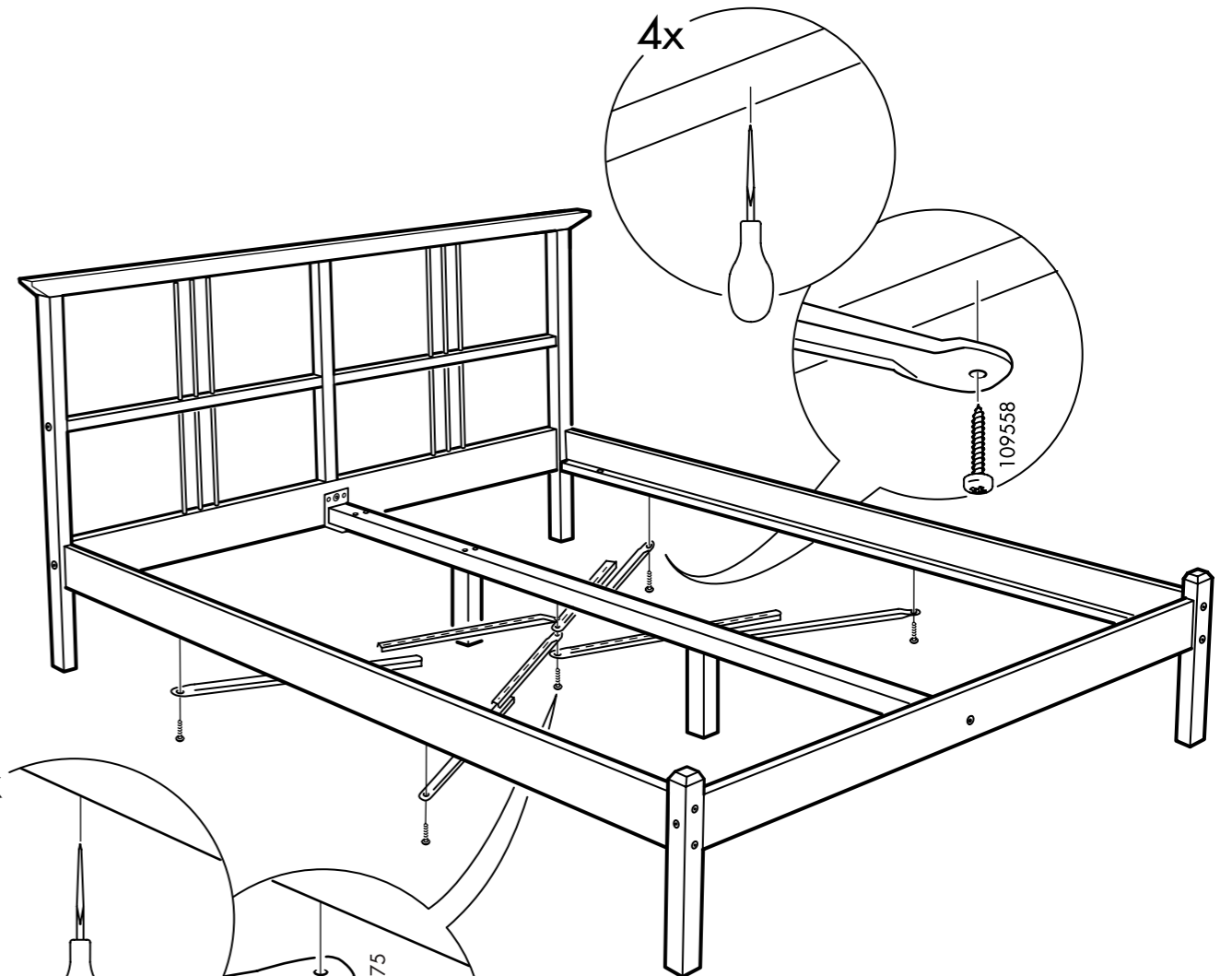
1x



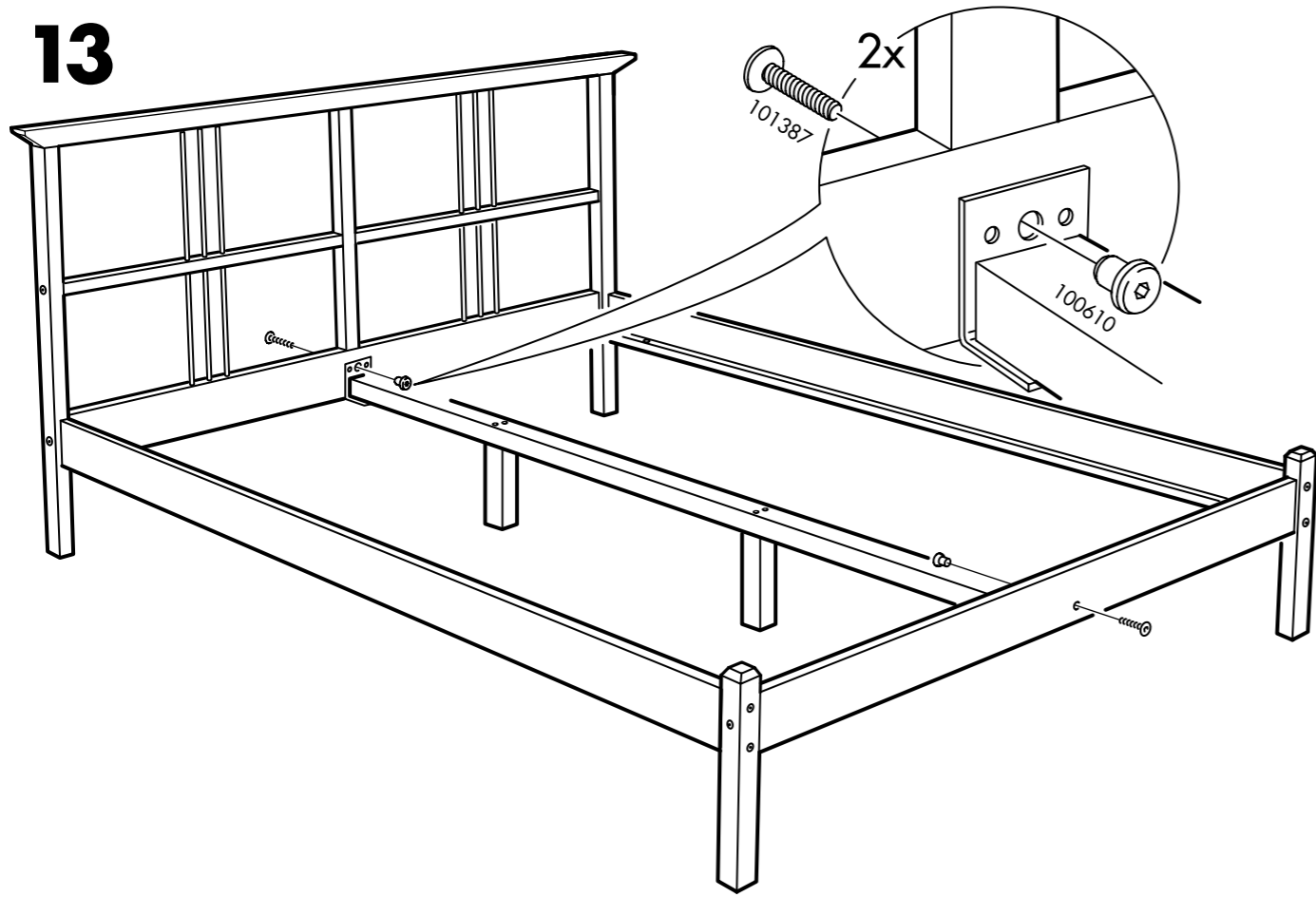
4x



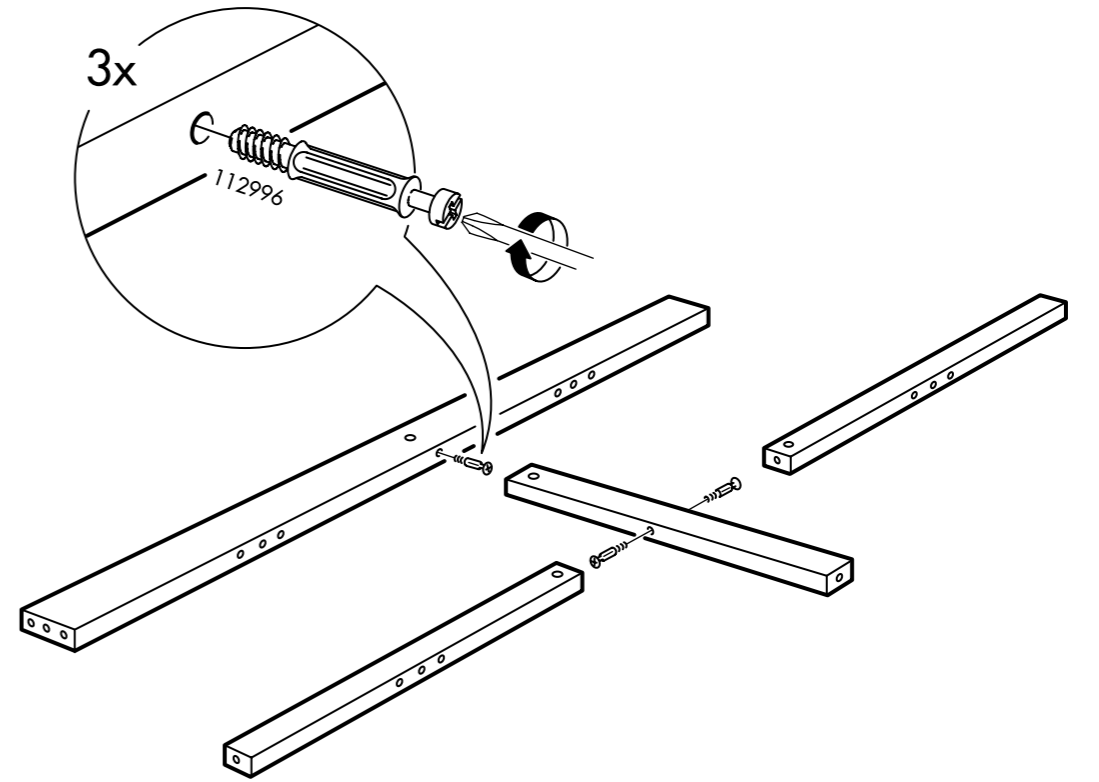
4x



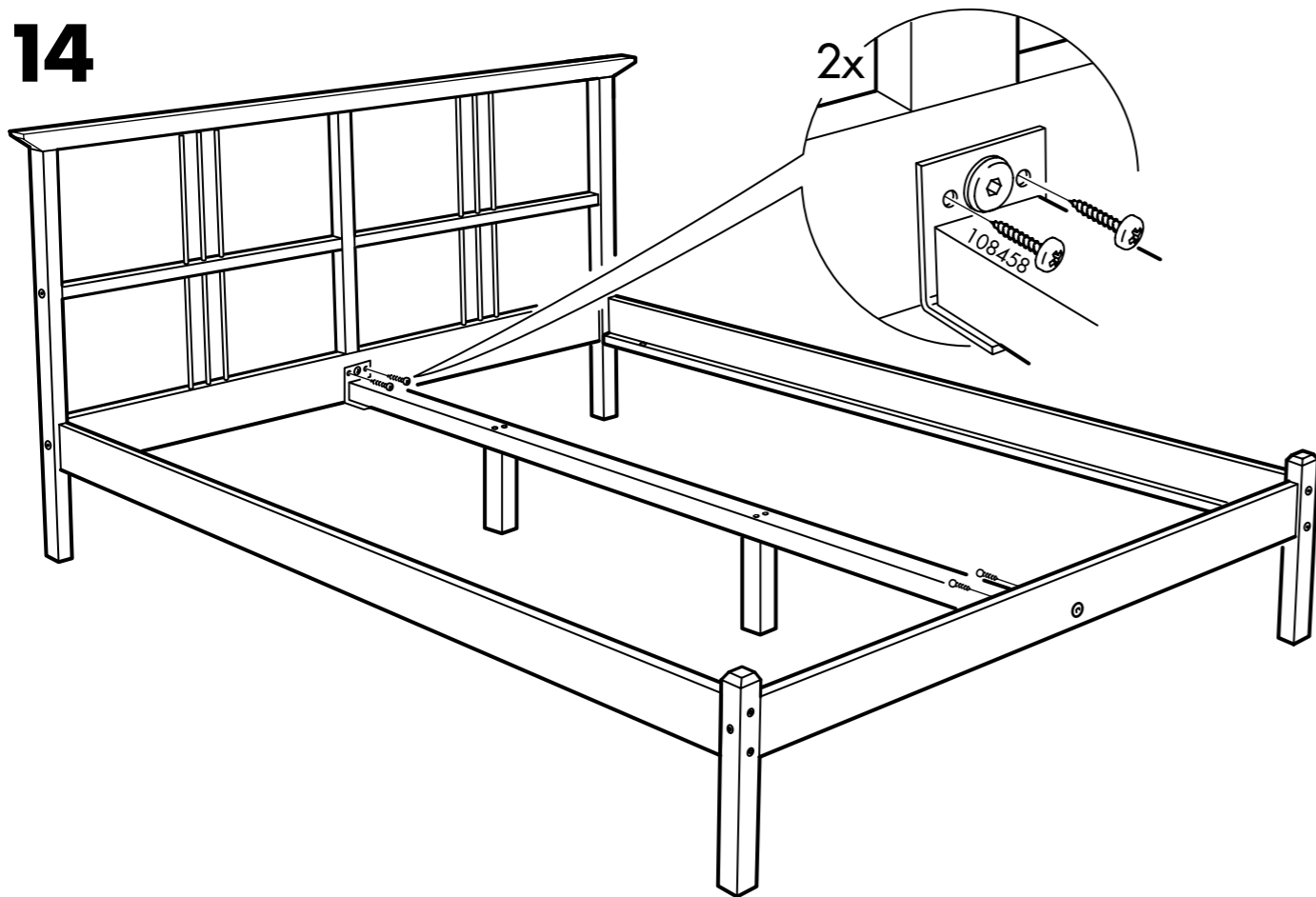
13



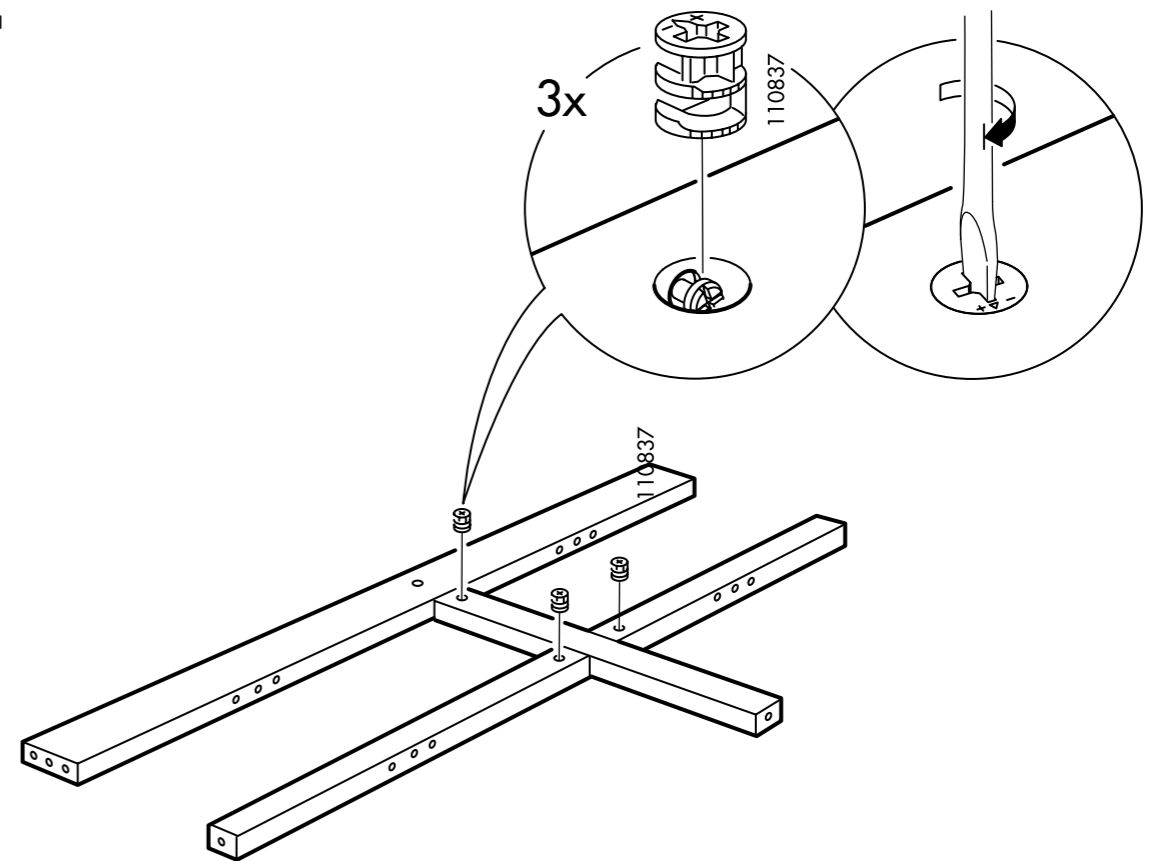
1



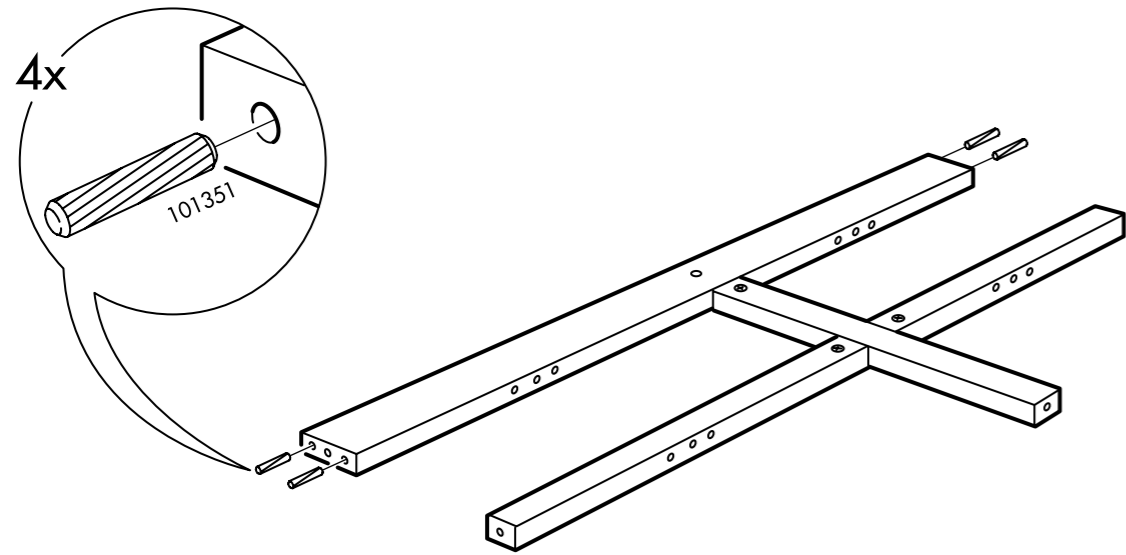
14



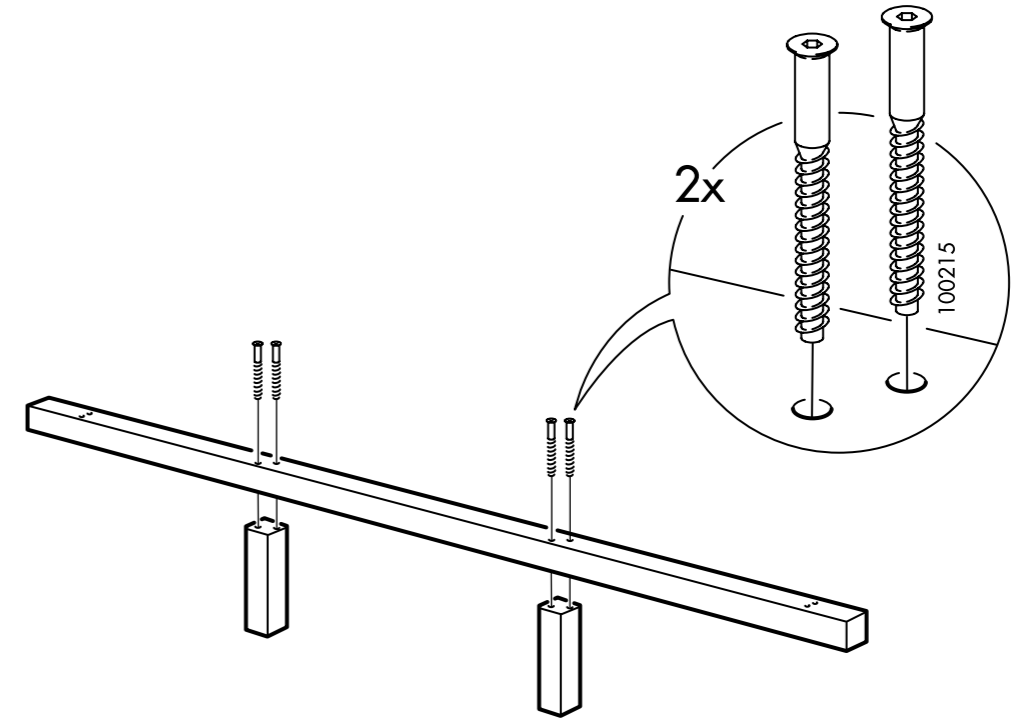
2



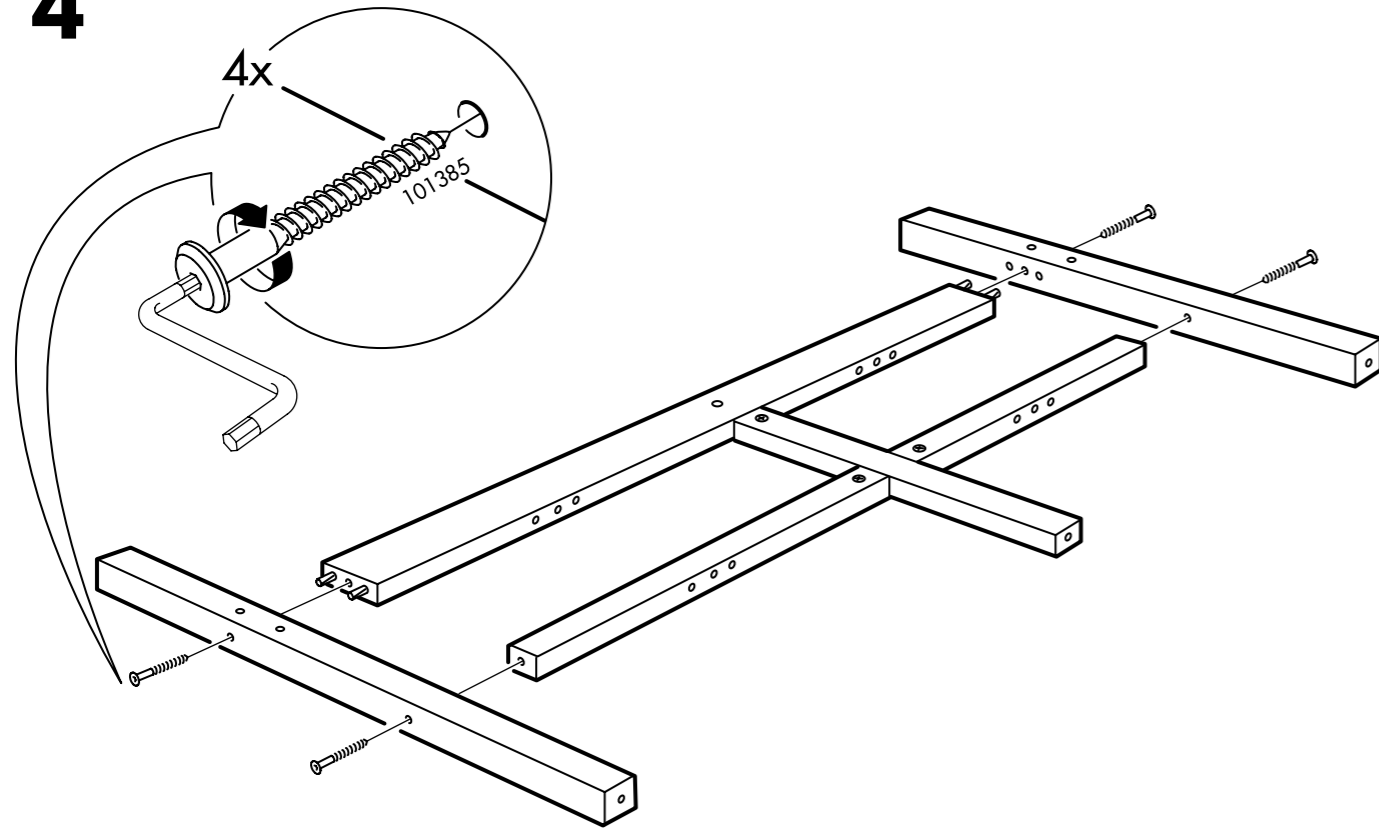
3



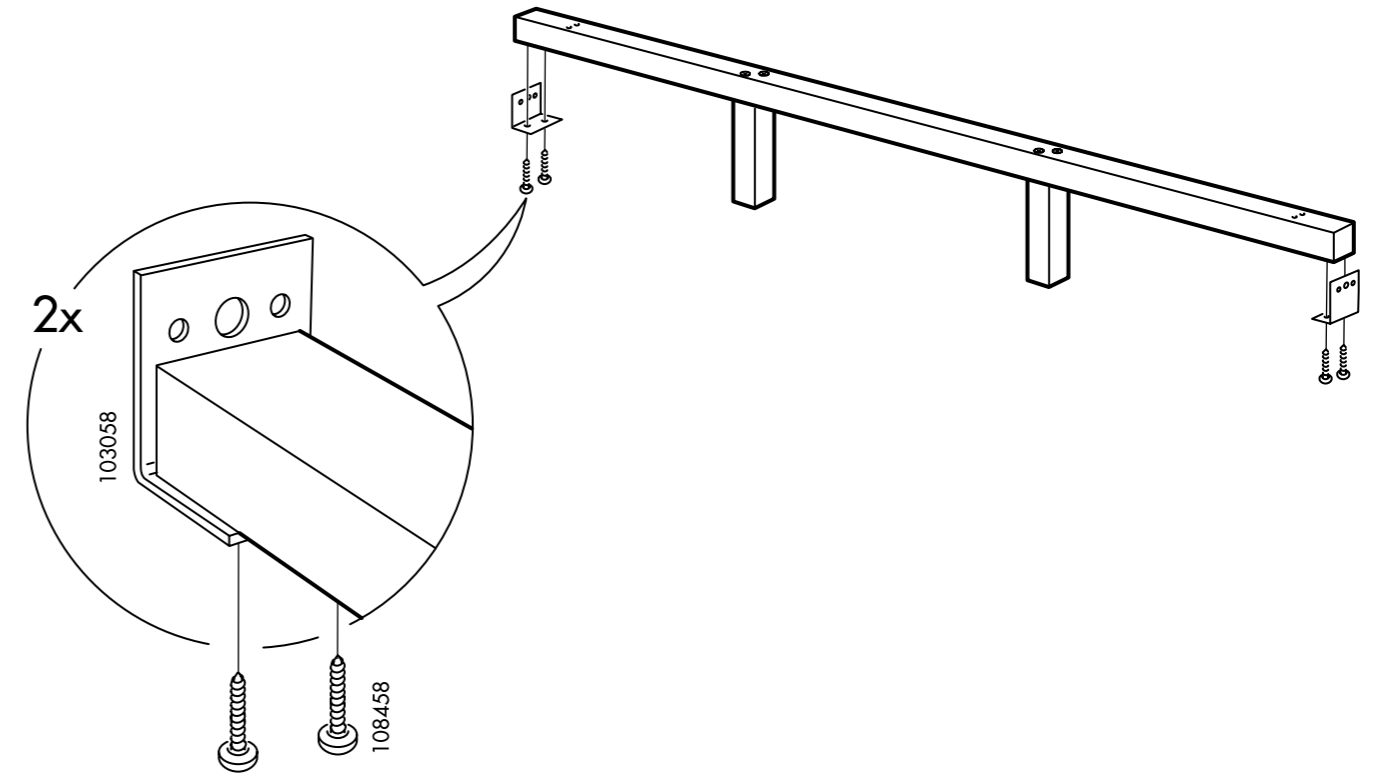
11



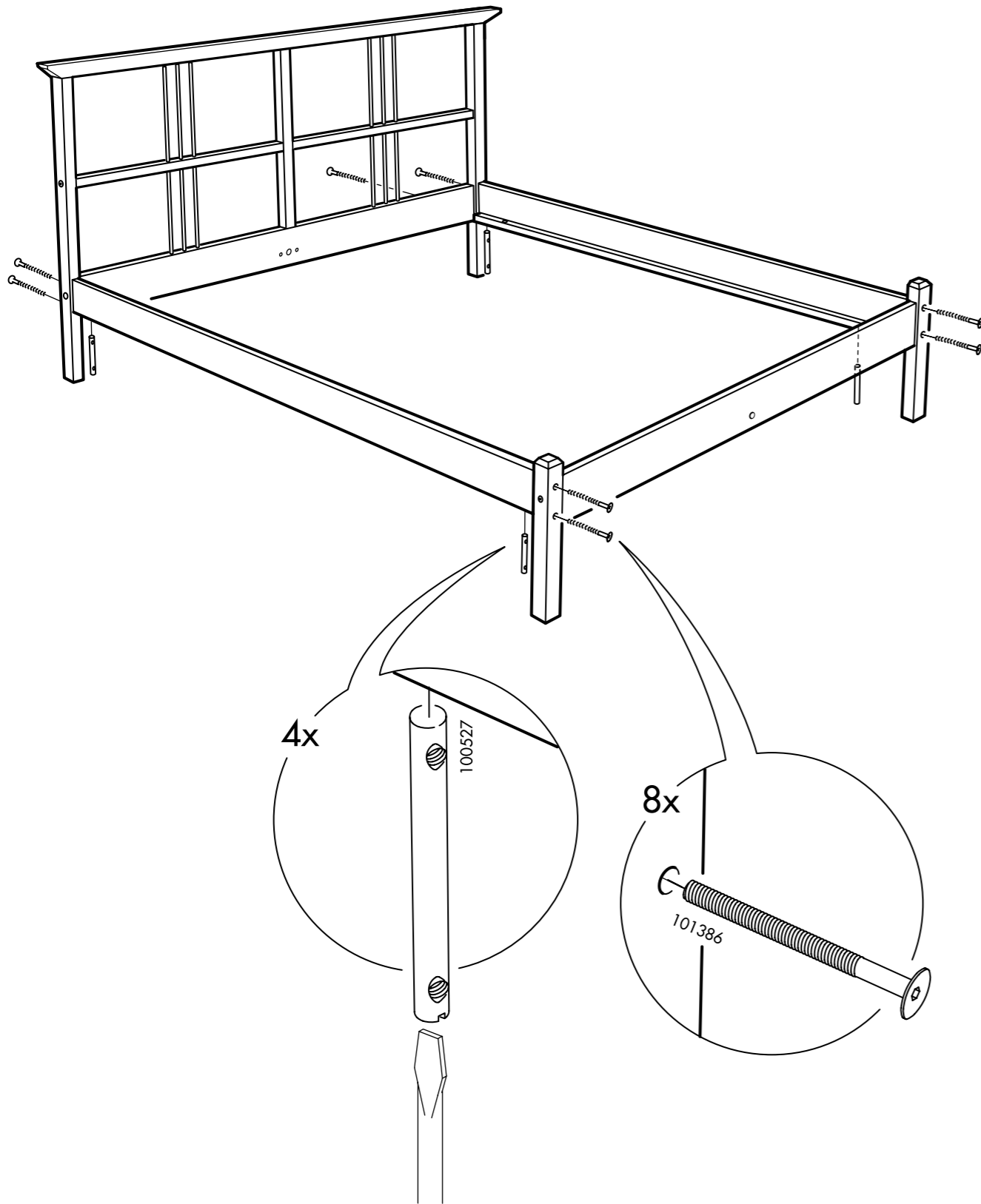
4



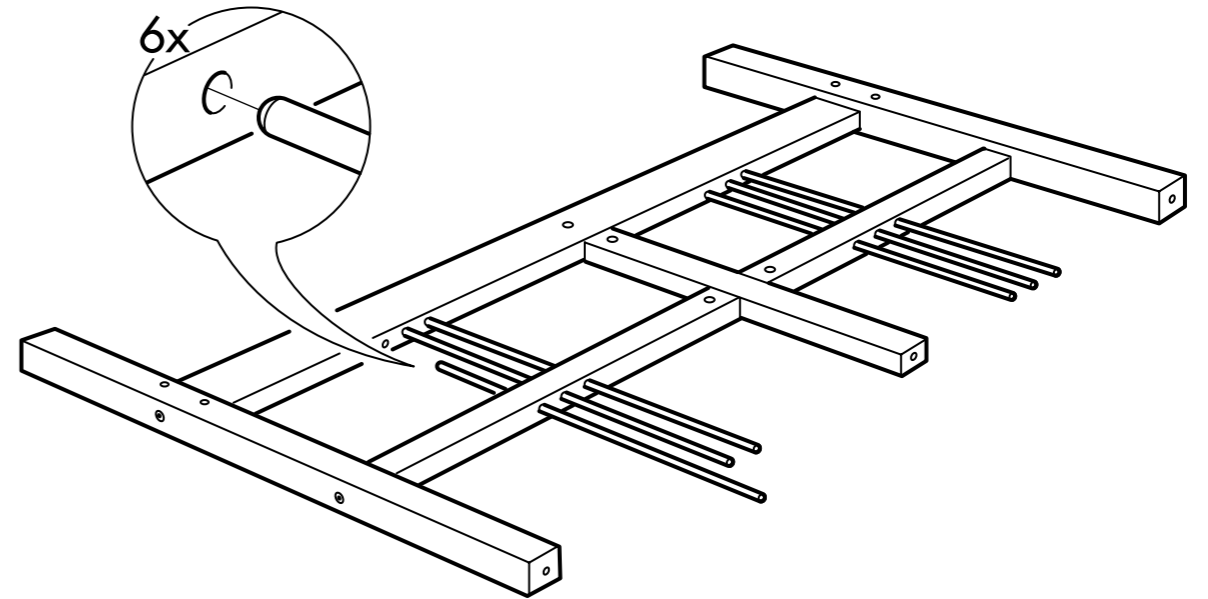
12



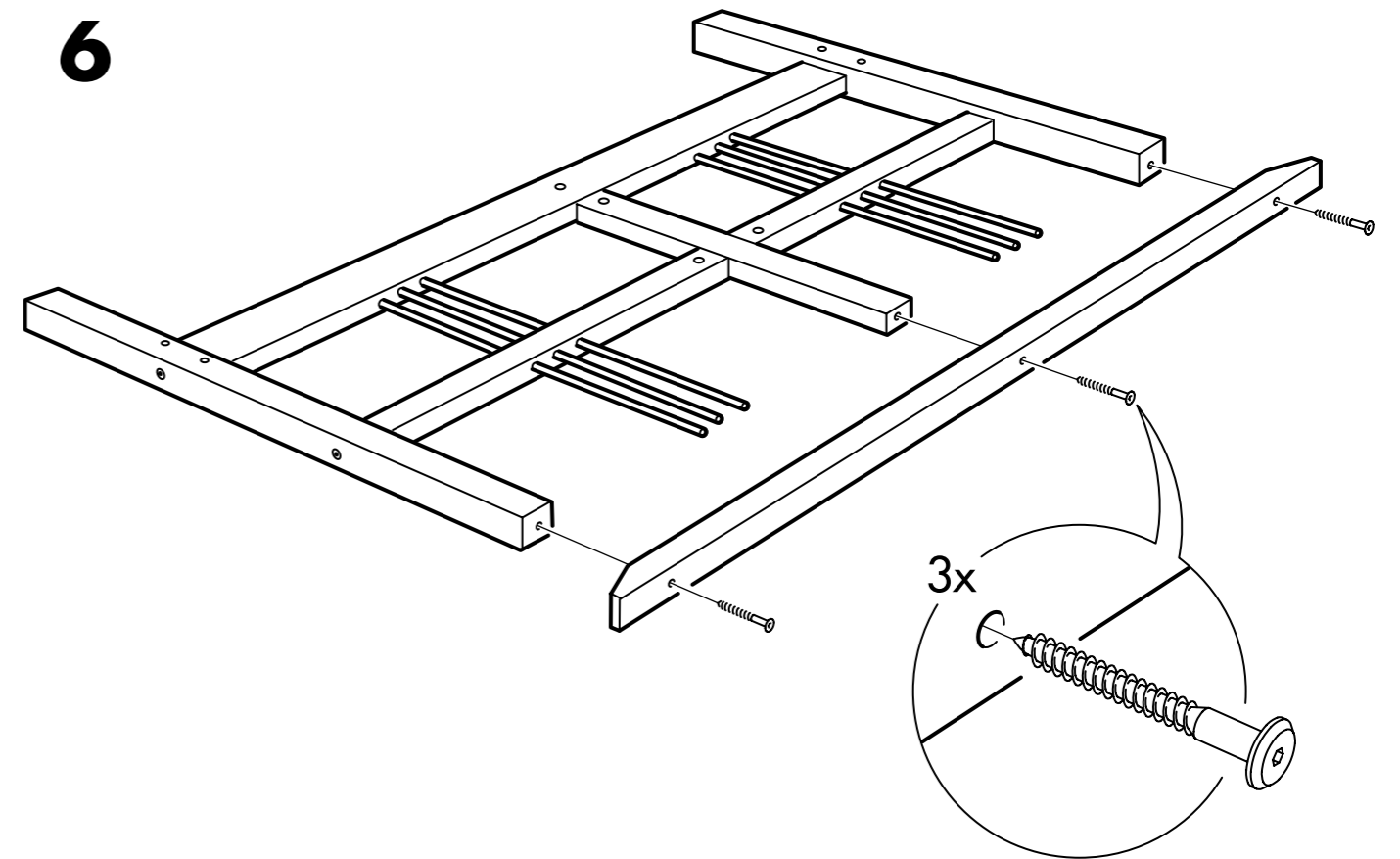
10



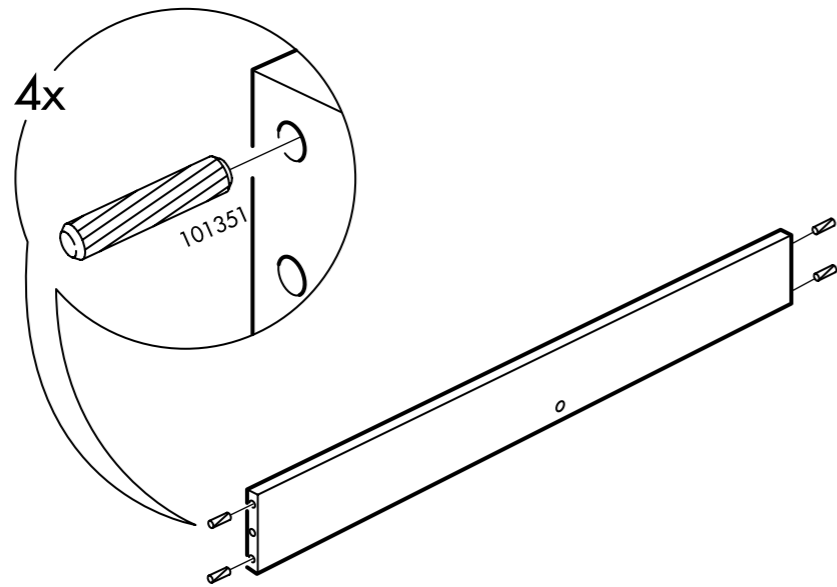
5



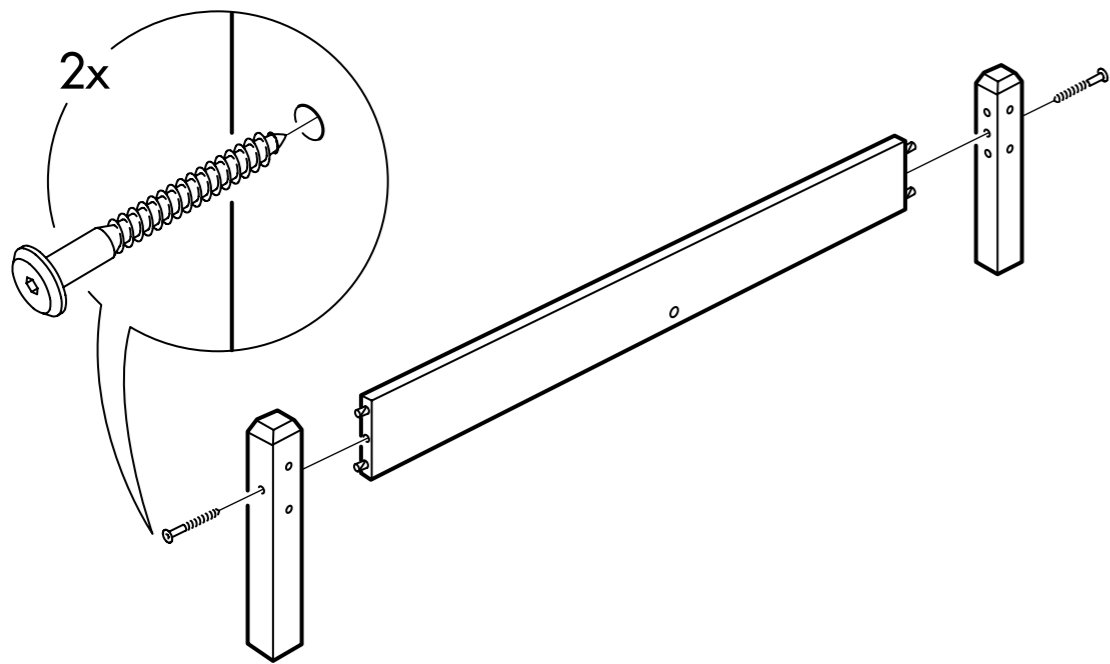
6



7



8



9

